

TIPO PCCTS



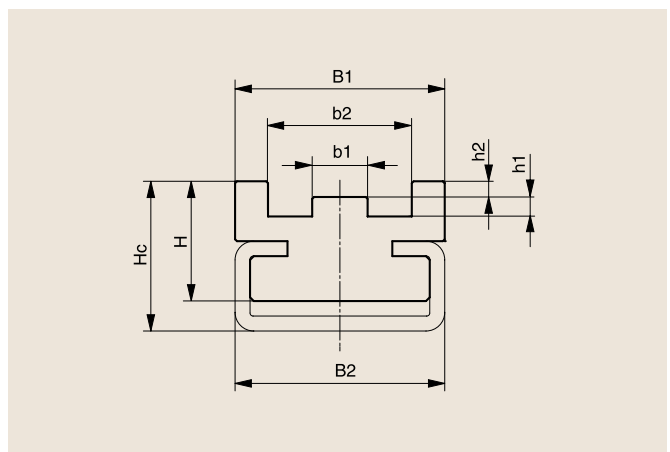
DIN 8187 chain no.	Chain dimensions in inches	C profile type	B1	B2	H	Hc	b1	b2	h1	h2
06B-1	3/8" x 7/32"	C3	20	20	14	17	3.8	13.0	1.5	1.1
083-1	1/2" x 3/16"	C3	20	20	14	17	3.0	12.4	1.6	1.4
085-1	1/2" x 1/4"	C3	22	20	14	17	4.5	15.1	2.2	1.6
08B-1	1/2" x 5/16"	C3	25	20	16	20	5.7	16.3	2.2	1.6
-	5/8" x 1/4"	C3	25	20	16	20	4.1	16.1	2.6	2.1
10B-1	5/8" x 3/8"	C5	28	28	16	20	7.4	19.2	2.6	2.1
12B-1	3/4" x 7/16"	C5	30	28	18	22	9.2	21.8	2.4	2.8
16B-1	1" x 17mm	C9	42	38	25	30	15.0	35.0	3.5	3.3
20B-1	1 1/4" x 3/4"	C9	50	38	30	35	16.8	40.0	4.2	4.0

Dimensions in mm

TIPO CTS-A (cadena embutida)

DIN 8187 chain no.	Dimensiones cadena en pulgadas	Tipo Perfil C	B1	B2	H	Hc	b1	b2	h1	h2
06B-1	3/8" x 7/32"	C3	25	15	15	18	5,4	15	1,5	4,4
08B-1	1/2" x 5/16"	C3	30	20	25	27	7,4	20	2,2	7,2
10B-1	5/8" x 3/8"	C5	33	23	30	32	9,2	23	2,6	9,5
12B-1	3/4" x 7/16"	C5	38	28	35	40	11,3	28	2,4	11,1
16B-1	1" x 17mm	C9	51	41	40	45	16,5	41	3,5	16,5

Dimensiones en mm



Tipo CTS