

TIPO PCTS



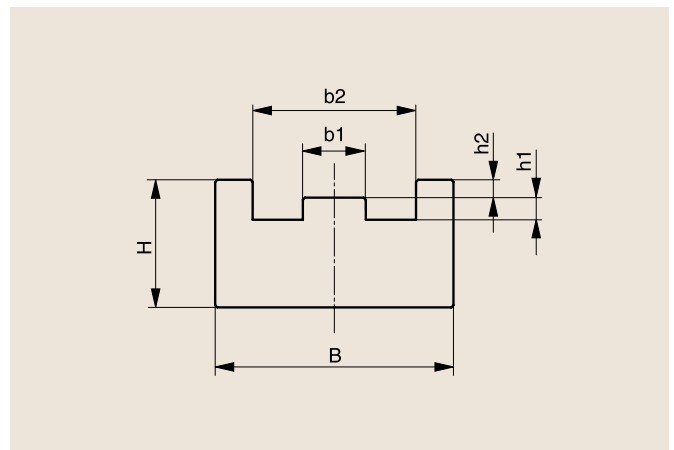
DIN 8187 chain no.	Chain dimensions in inches	B	H	b1	b2	h1	h2
06B-1	3/8" x 7/32"	20	10	3.8	13.0	1.5	1.1
083-1	1/2" x 3/16"	20	10	3.0	12.4	1.6	1.4
085-1	1/2" x 1/4"	22	10	4.5	15.1	2.2	1.6
08B-1	1/2" x 5/16"	25	15	5.7	16.3	2.2	1.6
-	5/8" x 1/4"	25	15	4.1	16.1	2.6	2.1
10B-1	5/8" x 3/8"	28	15	7.4	19.2	2.6	2.1
12B-1	3/4" x 7/16"	30	20	9.2	21.8	2.4	2.8
16B-1	1" x 17mm	42	25	15.0	35.0	3.5	3.3
20B-1	1 1/4" x 3/4"	50	25	16.8	40.0	4.2	4.0

Dimensions in mm

TIPO TS-A (cadena embutida)

DIN 8187 chain no.	Dimensiones cadena en pulgadas	B	H	b1	b2	h1	h2
06B-1	3/8" x 7/32"	25	10	5,4	15	1,5	4,4
08B-1	1/2" x 5/16"	30	15	7,4	20	2,2	7,2
10B-1	5/8" x 3/8"	33	20	9,2	23	2,6	9,5
12B-1	3/4" x 7/16"	38	20	11,3	28	2,4	11,1
16B-1	1" x 17mm	51	25	16,5	41	3,5	16,5
20B-1	1 1/4" x 3/4"	56	30	19	46	4,3	20,7

Dimensiones en mm



Tipo TS