

Chain pullers / Ensamble cadenas

Easy mounting of connecting links

Due to the overall weight it is often extremely cumbersome to assemble two chain ends without any tools.

By means of our practical chain puller, the two ends of the chain are pulled together far enough for a connecting link to be mounted without any difficulties.

This chain puller can be supplied in two sizes:

Debido al peso total, a menudo es extremadamente engorroso ensamblar dos extremos de la cadena sin ninguna herramienta.

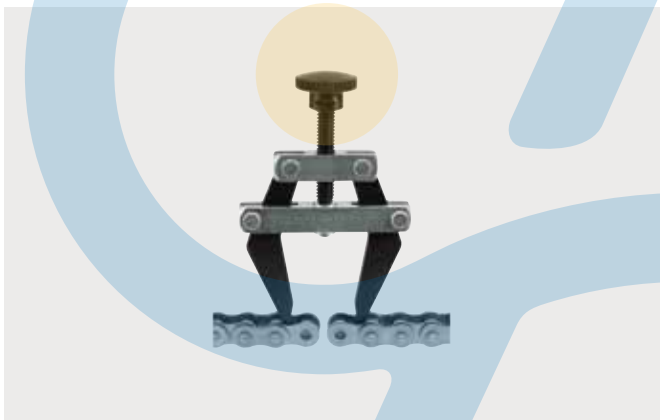
Por medio de nuestro práctico extractor de cadena, los dos extremos de la cadena se junta lo suficiente como para que un enlace de conexión sea montado sin ninguna dificultad.

Este extractor de cadena se puede suministrar en dos tamaños:



Chain puller 125 mm

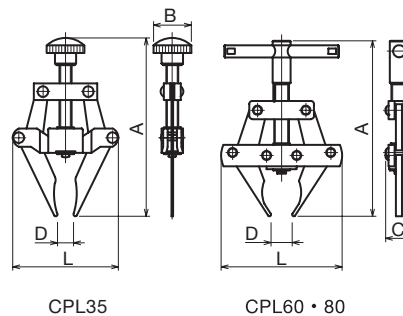
| No. | For chain pitches p | Clamping width | Weight |
|-----|---------------------|----------------|--------|
| 135 | 12,7 to 19,05 mm | 50,0 mm | 0,2 kg |
| 180 | 25,4 to 63,50 mm | 125,0 mm | 1,0 kg |



Chain puller 50 mm

● Order No. Example **CPL35**

Chain Puller No.



Used when connecting a chain as shown in the figure. Designed to be used quickly and easily.

◇ Chain Pullers

| Chain Puller No. | Chain in Use | A MAX | B | C | D | L | ¥ |
|------------------|--------------|-------|----|----|----------|-----|---|
| CPL 35 | 35 - 60 | 118 | 25 | - | 7 - 45 | 70 | |
| CPL 60 | 60 - 100 | 185 | - | 25 | 10 - 57 | 110 | |
| CPL 80 | 80 - 240 | 250 | - | 25 | 23 - 135 | 145 | |