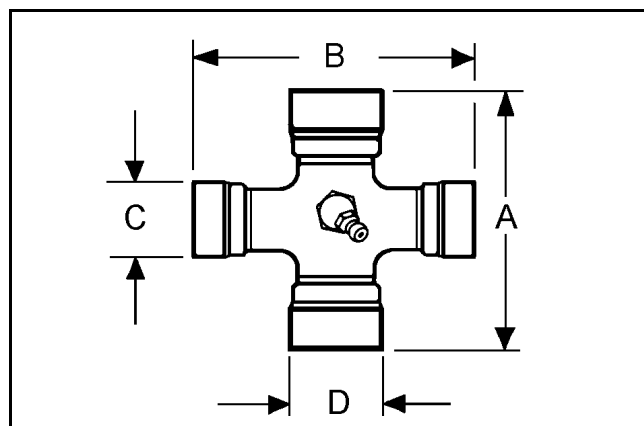
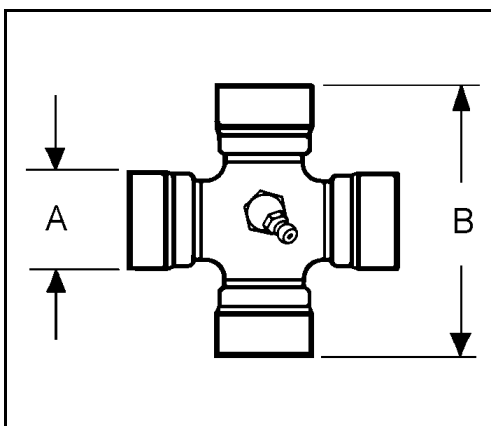


INDICE

SERIE AGRÍCOLA

TRANSMISIONES TIPO <i>TL</i>	Pag. 114
TRANSMISIONES TIPO <i>PT</i>	Pag. 115
TRANSMISIONES TIPO <i>TS</i>	Pag. 116
NUDOS PARA TRANSMISIONES	Pag. 117-119
NUDOS HOMOCINÉTICOS 80°.....	Pag. 120
TRANSMISIONES Y NUDOS OTRAS APLICACIONES	Pag. 121
HORQUILLAS	Pag. 122-126
RUEDAS LIBRES Y LIMITADORES DE PAR	Pag. 127-128
COMPONENTES DE NUDOS HOMOCINÉTICOS	Pag. 129
TUBOS PERFIL <i>LIMÓN</i> , <i>TRIANGULAR</i> Y <i>ESTRELLA</i>	Pag. 130
ACCESORIOS	Pag. 131-132
DATOS TÉCNICOS	Pag. 133-134

Cruces de Cardan para Transmisiones Agrícolas



Serie	Referencia	A	B
-	2222-CR	18,0	47,0
2122	2122-CR	19,0	51,9
2124	2124-CR	22,0	55,0
2224	2224-CR	22,0	54,0
2126	2126-CR	23,8	61,2
-	2126.1-CR	25,0	56,9
2328	2328-CR	27,0	70,0
2128	2128-CR	27,0	74,6
2228	2228-CR	32,0	76,0
2130	2130-CR	30,2	80,0
2230	2230-CR	30,2	92,0
2132	2132-CR	30,2	106,5
2330*	2330-CR	34,0	90,0
2332	2332-CR	34,9	94,0
2232	2232-CR	34,9	106,3
2234	2234-CR	36,0	89,0
-	2134-CR	39,7	115,9
2136	2136-CR	41,0	108,0
2236	2236-CR	42,0	104,0

Referencia	A	B	C	D
------------	---	---	---	---

2126NH-CR	61,2	77,0	22,0	23,8
-----------	------	------	------	------

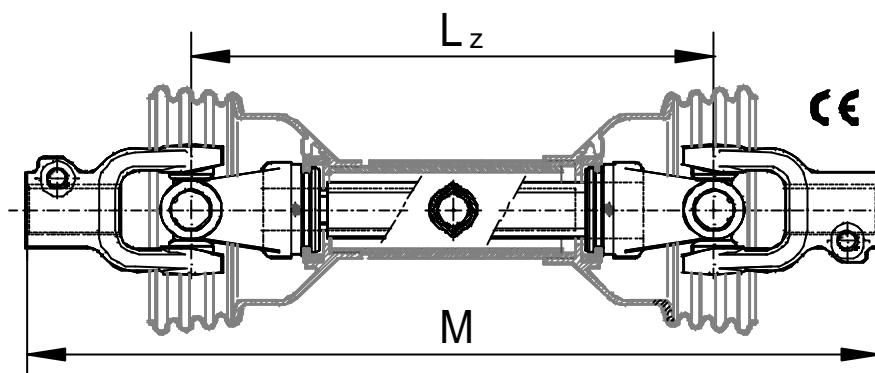
2128NH-CR	74,6	91,0	23,8	27,0
2230NH-CR	76,0	94,0	27,0	32,0

2232NH-CR	88,8	106,0	32,0	36,0
-----------	------	-------	------	------

* Grupillas interiores

TRANSMISIONES TIPO "TL"

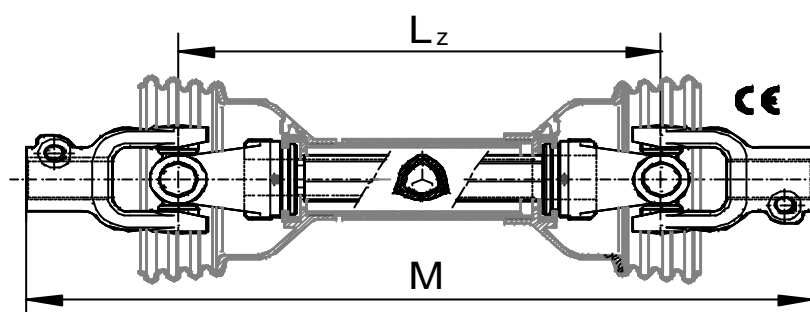
Con tubos perfil "limón"



Serie	Lz	M	Extremos	Referencia
2124 Cruz 22,0x55,0	460	640	1 3/8" Z-6	21240-21240.TL.0460 CEP
	510	690		21240-21240.TL.0510 CEP
	610	790		21240-21240.TL.0610 CEP
	710	890		21240-21240.TL.0710 CEP
	860	1040		21240-21240.TL.0860 CEP
2126 Cruz 23,8x61,2	460	655	1 3/8" Z-6	21260-21260.TL.0460 CEP
	510	705		21260-21260.TL.0510 CEP
	610	805		21260-21260.TL.0610 CEP
	710	905		21260-21260.TL.0710 CEP
	860	1055		21260-21260.TL.0860 CEP
2128 Cruz 27,0x74,6	510	730	1 3/8" Z-6	21280-21280.TL.0510 CEP
	610	830		21280-21280.TL.0610 CEP
	710	930		21280-21280.TL.0710 CEP
	860	1080		21280-21280.TL.0860 CEP
	1010	1230		21280-21280.TL.1010 CEP
2228 Cruz 32,0x76,0	510	735	1 3/8" Z-6	22280-22280.TL.0510 CEP
	610	835		22280-22280.TL.0610 CEP
	710	935		22280-22280.TL.0710 CEP
	860	1085		22280-22280.TL.0860 CEP
2230 Cruz 30,2x92,0	510	745	1 3/8" Z-6	22300-22300.TL.0510 CEP
	610	845		22300-22300.TL.0610 CEP
	710	945		22300-22300.TL.0710 CEP
	860	1095		22300-22300.TL.0860 CEP
	1010	1245		22300-22300.TL.1010 CEP
2330 Cruz 34,0x90,0	510	740	1 3/8" Z-6	23300-23300.TL.0510 CEP
	610	840		23300-23300.TL.0610 CEP
	710	940		23300-23300.TL.0710 CEP
	860	1030		23300-23300.TL.0860 CEP
	1010	1240		23300-23300.TL.1010 CEP
2234 Cruz 36,0x89,0	510	750	1 3/8" Z-6	22340-22340.TL.0510 CEP
	610	850		22340-22340.TL.0610 CEP
	710	950		22340-22340.TL.0710 CEP
	860	1100		22340-22340.TL.0860 CEP
	1010	1250		22340-22340.TL.1010 CEP

TRANSMISIONES TIPO "PT"

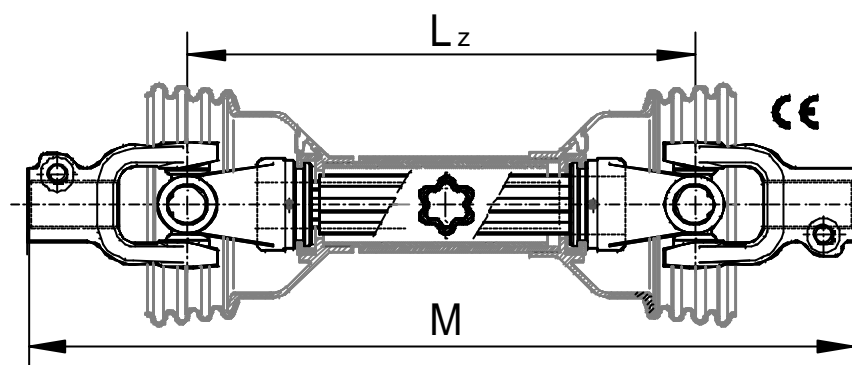
Con tubos perfil "triangular"



Serie	Lz	M	Extremos	Referencia
2224 Cruz 22,0x54,0	510	690	1 3/8" Z-6	22240-22240.PT.0510CEP
	610	790		22240-22240.PT.0610CEP
	710	890		22240-22240.PT.0710CEP
	860	1040		22240-22240.PT.0860CEP
2126 Cruz 23,8x61,2	510	705	1 3/8" Z-6	21260-21260.PT.0510CEP
	610	805		21260-21260.PT.0610CEP
	710	905		21260-21260.PT.0710CEP
	860	1055		21260-21260.PT.0860CEP
2328 Cruz 27,0x70,0	510	715	1 3/8" Z-6	23280-23280.PT.0510CEP
	610	815		23280-23280.PT.0610CEP
	710	915		23280-23280.PT.0710CEP
	860	1065		23280-23280.PT.0860CEP
2128 Cruz 27,0x74,6	510	730	1 3/8" Z-6	21280-21280.PT.0510CEP
	610	830		21280-21280.PT.0610CEP
	710	930		21280-21280.PT.0710CEP
	860	1080		21280-21280.PT.0860CEP
2130 Cruz 30,2x80,0	510	735	1 3/8" Z-6	21300-21300.PT.0510CEP
	610	835		21300-21300.PT.0610CEP
	710	935		21300-21300.PT.0710CEP
	860	1085		21300-21300.PT.0860CEP
2230 Cruz 30,2x92,0	510	745	1 3/8" Z-6	22300-22300.PT.0510CEP
	610	845		22300-22300.PT.0610CEP
	710	945		22300-22300.PT.0710CEP
	860	1095		22300-22300.PT.0860CEP
2132 Cruz 30,2x106,5	510	765	1 3/8" Z-6	21320-21320.PT.0510CEP
	610	865		21320-21320.PT.0610CEP
	710	965		21320-21320.PT.0710CEP
	860	1115		21320-21320.PT.0860CEP
2332 Cruz 34,9x94,0	510	750	1 3/8" Z-6	23320-23320.PT.0510CEP
	610	850		23320-23320.PT.0610CEP
	710	950		23320-23320.PT.0710CEP
	860	1100		23320-23320.PT.0860CEP
2232 Cruz 34,9x106,3	510	760	1 3/8" Z-6	22320-22320.PT.0510CEP
	610	860		22320-22320.PT.0610CEP
	710	960		22320-22320.PT.0710CEP
	860	1110		22320-22320.PT.0860CEP
2136 Cruz 41,0x108,0	510	765	1 3/8" Z-6	21360-21360.PT.0510CEP
	610	865		21360-21360.PT.0610CEP
	710	965		21360-21360.PT.0710CEP
	860	1115		21360-21360.PT.0860CEP

TRANSMISIONES TIPO "TS"

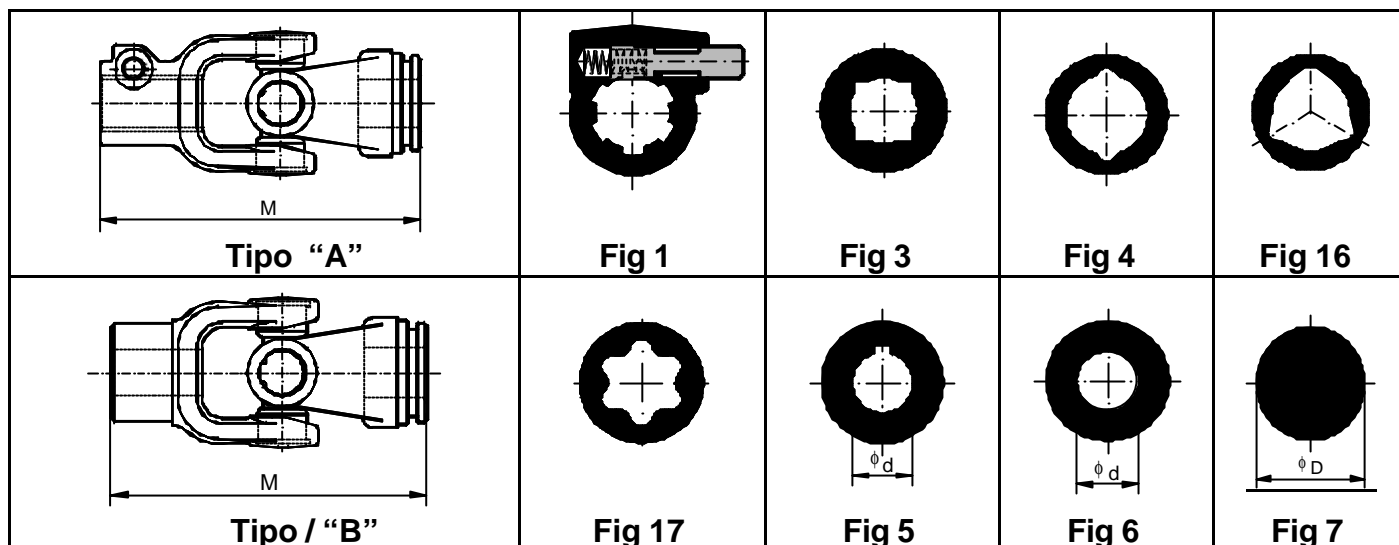
Con tubos perfil "estrella"



Serie	Lz	M	Extremos	Referencia
2228 Cruz 32,0x76,0	510	735	1 3/8" Z-6	22280-22280.TS.0510 CEP
	610	835		22280-22280.TS.0610 CEP
	710	935		22280-22280.TS.0710 CEP
	860	1085		22280-22280.TS.0860 CEP
2230 Cruz 30,2x92,0	510	745	1 3/8" Z-6	22300-22300.TS.0510 CEP
	610	845		22300-22300.TS.0610 CEP
	710	945		22300-22300.TS.0710 CEP
	860	1095		22300-22300.TS.0860 CEP
2132 Cruz 30,2x106,5	510	765	1 3/8" Z-6	21320-21320.TS.0510 CEP
	610	865		21320-21320.TS.0610 CEP
	710	965		21320-21320.TS.0710 CEP
	860	1115		21320-21320.TS.0860 CEP
2330 Cruz 34,0x90,0	510	740	1 3/8" Z-6	23300-23300.TS.0510 CEP
	610	840		23300-23300.TS.0610 CEP
	710	940		23300-23300.TS.0710 CEP
	860	1030		23300-23300.TS.0860 CEP
2232 Cruz 34,9x106,3	510	760	1 3/8" Z-6	22320-22320.TS.0510 CEP
	610	860		22320-22320.TS.0610 CEP
	710	960		22320-22320.TS.0710 CEP
	860	1110		22320-22320.TS.0860 CEP
2234 Cruz 36,0x89,0	510	750	1 3/8" Z-6	22340-22340.TS.0510 CEP
	610	850		22340-22340.TS.0610 CEP
	710	950		22340-22340.TS.0710 CEP
	860	1100		22340-22340.TS.0860 CEP
2136 Cruz 41,0x108,0	510	765	1 3/8" Z-6	21360-21360.TS.0510 CEP
	610	865		21360-21360.TS.0610 CEP
	710	965		21360-21360.TS.0710 CEP
	860	1115		21360-21360.TS.0860 CEP
2236 Cruz 42,0x104,0	510	770	1 3/8" Z-6	22360-22360.TS.0510 CEP
	610	870		22360-22360.TS.0610 CEP
	710	970		22360-22360.TS.0710 CEP
	860	1120		22360-22360.TS.0860 CEP

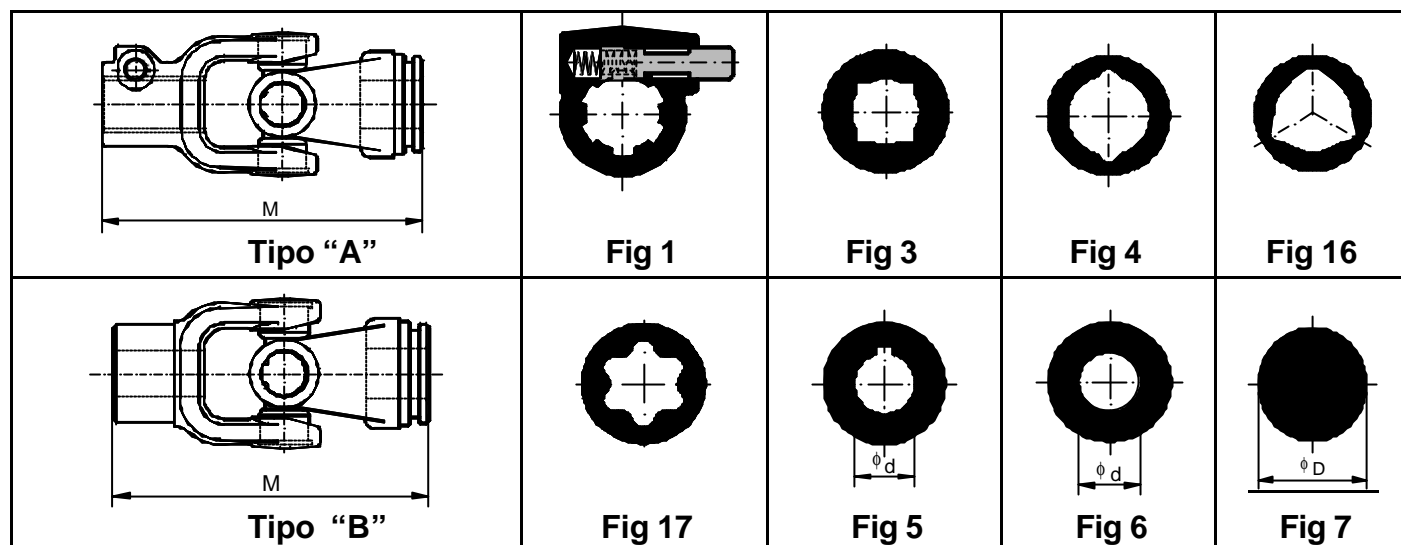
LOCALIZACIÓN DE LAS TRANSMISIONES.-Las referencias tienen cinco bloques. Los dos primeros identifican los extremos, el tercero indica el sistema de alargamiento (TL=tubos limón, PT=tubos triangulares, TS=tubos estrella), el cuarto muestra la longitud Lz en mm. y el quinto corresponde a la protección.

Nudos Agrícolas (I)



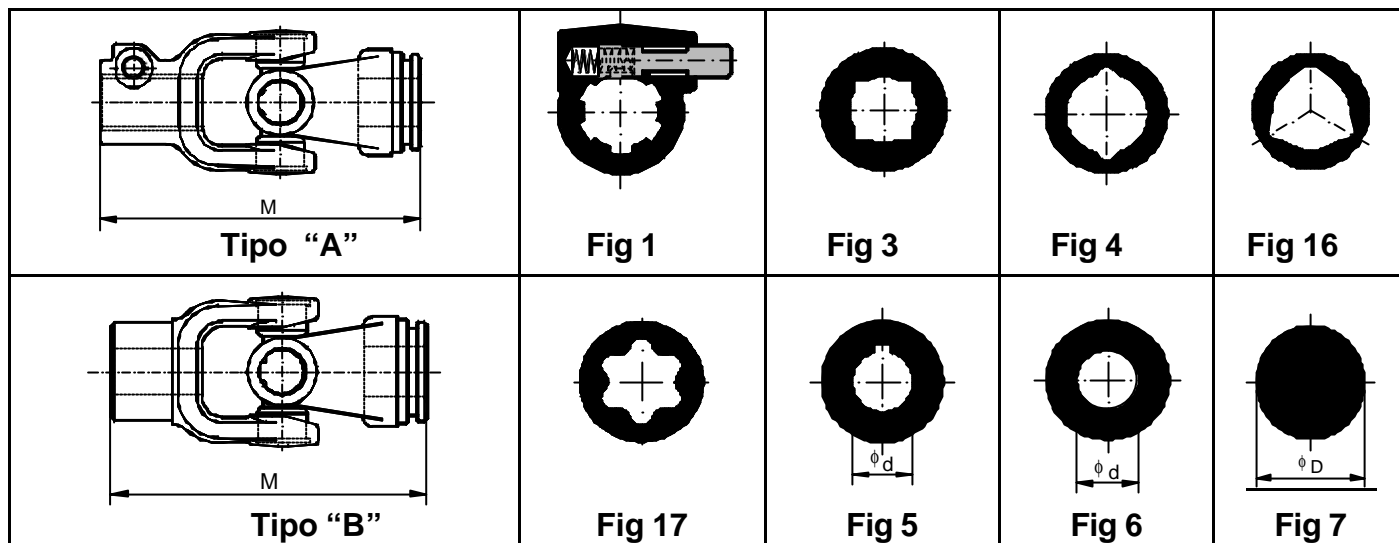
Serie	Referencia	Tipo	Extremos				M
			Fig	Dim.	Fig	Dim.	
2124 (22,0x55,0)	2123.5.4.d.02	B	5	d=20,22,25	4	TL-02	147
	2124.1.7.0.46	A	1	1 3/8" Z-6	7	D=46	171
	2124.1.4.0.01	A	1	1 3/8" Z-6	4	TL-01	156
	2124.1.4.0.02	A	1	1 3/8" Z-6	4	TL-02	156
	2124.1.4.1.01	A	1	1 1/8" Z-6	4	TL-01	156
	2124.1.4.1.02	A	1	1 1/8" Z-6	4	TL-02	156
2224 (22,0x54,0)	2224.1.16.0.01	A	1	1 3/8" Z-6	16	PT-01	156
	2224.1.16.0.02	A	1	1 3/8" Z-6	16	PT-02	156
	2224.1.16.1.01	A	1	1 1/8" Z-6	16	PT-01	156
	2224.1.16.1.02	A	1	1 1/8" Z-6	16	PT-02	156
2126 (23,8x61,2)	2125.5.4.d.04	B	5	d=22,25,30	4	TL-04	156
	2126.1.7.0.46	A	1	1 3/8" Z-6	7	D=46	179
	2126.1.4.0.03	A	1	1 3/8" Z-6	4	TL-03	173
	2126.1.4.0.04	A	1	1 3/8" Z-6	4	TL-04	173
	2126.1.4.1.03	A	1	1 1/8" Z-6	4	TL-03	173
	2126.1.4.2.03	A	1	26 UNI 220	4	TL-03	166
	2126.1.16.0.03	A	1	1 3/8" Z-6	16	PT-03	173
	2126.1.16.0.04	A	1	1 3/8" Z-6	16	PT-04	173
2328 (27,0x70,0)	2328.1.16.0.04	A	1	1 3/8" Z-6	16	PT-04	182
	2328.1.16.0.06	A	1	1 3/8" Z-6	16	PT-06	188
2128 (27,0x74,6)	2127.5.4.d.04	B	5	d=25,30,35	4	TL-04	188
	2128.1.3.0.03	A	1	1 3/8" Z-6	3	ER-03	211
	2128.1.3.1.03	A	1	1 1/8" Z-6	3	ER-03	211
	2128.1.3.3.03	A	1	1 3/8" Z-21	3	ER-03	211
	2128.1.4.0.03	A	1	1 3/8" Z-6	4	TL-03	195
	2128.1.4.0.04	A	1	1 3/8" Z-6	4	TL-04	195
	2128.1.4.0.05	A	1	1 3/8" Z-6	4	TL-05	194
	2128.1.4.0.06	A	1	1 3/8" Z-6	4	TL-06	199
	2128.1.4.1.03	A	1	1 1/8" Z-6	4	TL-03	195
	2128.1.4.3.03	A	1	1 3/8" Z-21	4	TL-03	195
	2128.1.16.0.05	A	1	1 3/8" Z-6	16	PT-05	195
	2128.1.16.0.06	A	1	1 3/8" Z-6	16	PT-06	195

Nudos Agrícolas (II)



Serie	Referencia	Tipo	Extremos				M
			Fig	Dim.	Fig	Dim.	
2228 (32,0x76,0)	2228.1.4.0.05	A	1	1 3/8" Z-6	4	TL-05	208
	2228.1.4.0.06	A	1	1 3/8" Z-6	4	TL-06	218
	2228.1.17.0.01	A	1	1 3/8" Z-6	17	TS-01	208
	2228.1.17.0.02	A	1	1 3/8" Z-6	17	TS-02	218
2130 (30,2x80,0)	2129.5.16.d.10	B	5	d=30	16	PT-10	194
	2130.1.3.0.03	A	1	1 3/8" Z-6	3	ER-03	209
	2130.1.6.0.30	A	1	1 3/8" Z-6	6	d=30	209
	2130.1.16.0.07	A	1	1 3/8" Z-6	16	PT-07	211
	2130.1.16.0.10	A	1	1 3/8" Z-6	16	PT-10	211
2230 (30,2x92,0)	2229.5.4.d.06	B	5	d=30,35	4	TL-06	222
	2230.1.4.0.05	A	1	1 3/8" Z-6	4	TL-05	223
	2230.1.4.0.06	A	1	1 3/8" Z-6	4	TL-06	223
	2229.5.16.d.09	B	5	d=30,35	16	PT-09	222
	2230.1.16.0.07	A	1	1 3/8" Z-6	16	PT-07	223
	2230.1.16.0.09	A	1	1 3/8" Z-6	16	PT-09	223
	2230.1.17.0.01	A	1	1 3/8" Z-6	17	TS-01	223
	2230.1.17.0.02	A	1	1 3/8" Z-6	17	TS-02	223
2132 (30,2x106,5)	2131.5.6.d.d	B	5	d=35,40,45	6	d=48	246
	2132.1.3.0.04	A	1	1 3/8" Z-6	3	ER-04	250
	2132.1.6.0.48	A	1	1 3/8" Z-6	6	d=48	250
	2131.5.16.d.09	B	5	d=35,40,45	16	PT-09	231
	2132.1.16.0.08	A	1	1 3/8" Z-6	16	PT-08	235
	2132.1.16.0.09	A	1	1 3/8" Z-6	16	PT-09	235
	2132.1.17.0.01	A	1	1 3/8" Z-6	17	TS-01	235
	2132.1.17.0.02	A	1	1 3/8" Z-6	17	TS-02	235

Nudos Agrícolas (III)



Serie	Referencia	Tipo	Extremos				M
			Fig	Dim.	Fig	Dim.	
2330 (34,0x90,0)	2330.1.4.0.05	A	1	1 3/8" Z-6	4	TL-05	204
	2330.1.4.0.06	A	1	1 3/8" Z-6	4	TL-06	218
	2330.1.17.0.01	A	1	1 3/8" Z-6	17	TS-01	204
	2330.1.17.0.02	A	1	1 3/8" Z-6	17	TS-02	218
2332 (34,9x94,0)	2332.1.16.0.08	A	1	1 3/8" Z-6	16	PT-08	226
	2332.1.16.0.09	A	1	1 3/8" Z-6	16	PT-09	226
2232 (34,9x106,3)	2232.1.16.0.09	A	1	1 3/8" Z-6	16	PT-09	239
	2232.1.16.0.11	A	1	1 3/8" Z-6	16	PT-11	239
	2232.1.17.0.01	A	1	1 3/8" Z-6	17	TS-01	239
	2232.1.17.1.02	A	1	1 3/8" Z-6	17	TS-02	239
2234 (36,0x89,0)	2234.1.4.0.05	A	1	1 3/8" Z-6	4	TL-05	227
	2234.1.4.0.06	A	1	1 3/8" Z-6	4	TL-06	233
	2234.1.17.0.01	A	1	1 3/8" Z-6	17	TS-01	227
	2234.1.17.0.02	A	1	1 3/8" Z-6	17	TS-02	230
2136 (41,0x108,0)	2136.1.16.0.12	A	1	1 3/8" Z-6	16	PT-12	251
	2136.1.16.0.11	A	1	1 3/8" Z-6	16	PT-11	251
	2136.1.17.0.01	A	1	1 3/8" Z-6	17	TS-01	251
	2126.1.17.0.02	A	1	1 3/8" Z-6	17	TS-02	251
2236 (42,0x104,0)	2236.1.17.0.01	A	1	1 3/8" Z-6	17	TS-01	262
	2236.1.17.0.02	A	1	1 3/8" Z-6	17	TS-02	262
	2236.1.17.0.03	A	1	1 3/8" Z-6	17	TS-03	262

Nudos Homocinéticos 80°

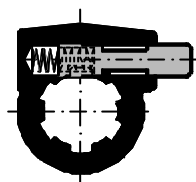
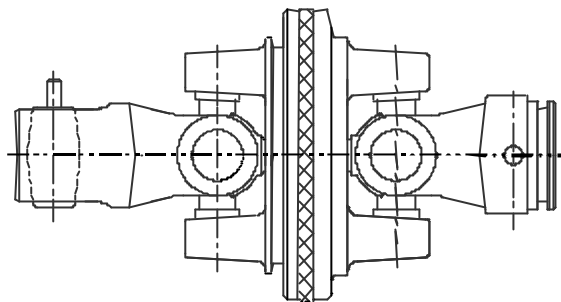


Fig 1

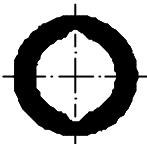


Fig 4



Fig 16

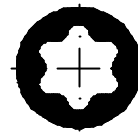
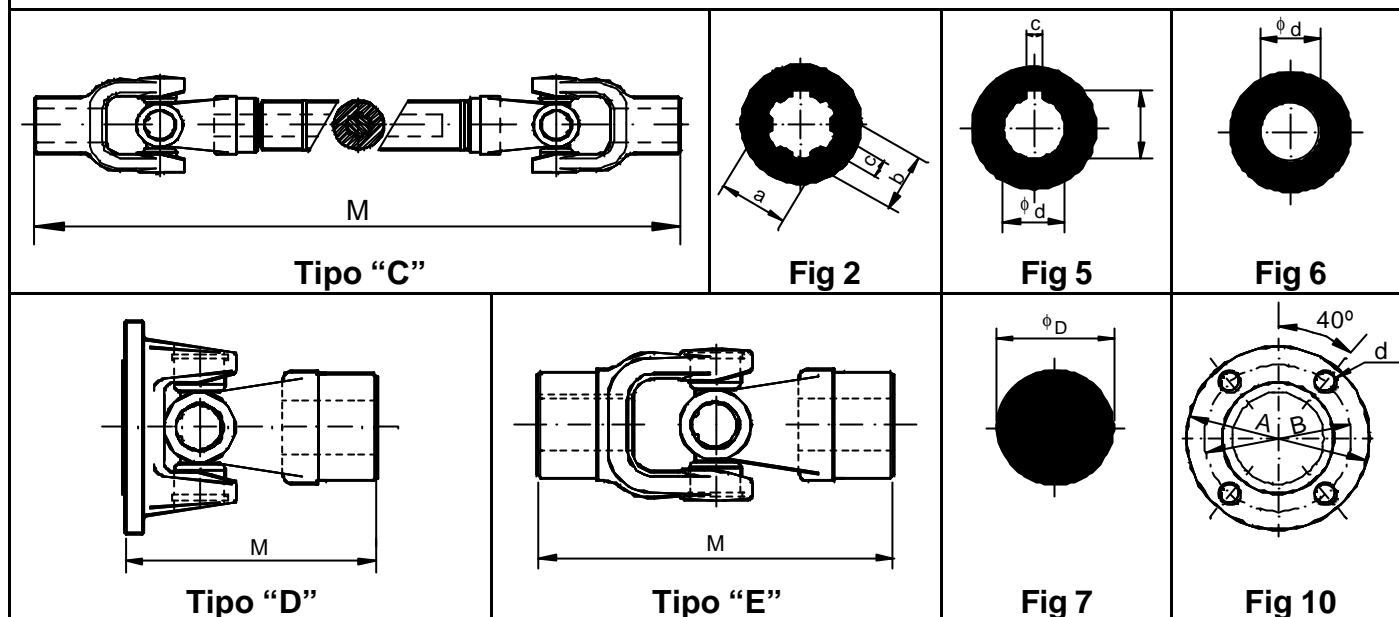


Fig 17

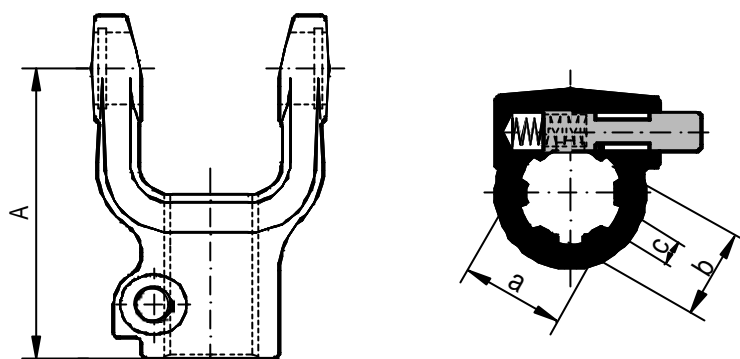
Serie	Referencia	Extremos			
		Fig	Dim.	Fig	Dim.
2126	2126104003NH	1	1 3/8" Z-6	4	TL-03
	2126104004NH				TL-04
	2126116003NH			16	PT-03
	2126116004NH				PT-04
2128	2128104003NH	1	1 3/8" Z-6	4	TL-03
	2128101004NH				TL-04
	2128104005NH				TL-05
	2128104006NH				TL-06
	2128116005NH			16	PT-05
	2128116006NH				PT-06
2228	2228104005NH	1	1 3/8" Z-6	4	TL-05
2130	2228104006NH				TL-06
2230	2230116007NH			16	PT-07
	2230116009NH				PT-09
	2228117001NH			17	TS-01
	2228117002NH				TS-02
2332	2332116008NH	1	1 3/8" Z-6	16	PT-08
	2332116009NH				PT-09
2232	2232116009NH			16	PT-09
	2232116011NH				PT-11
2234	2234117001NH			17	TS-01
	2234117002NH				TS-02

Transmisiones y nudos otras aplicaciones



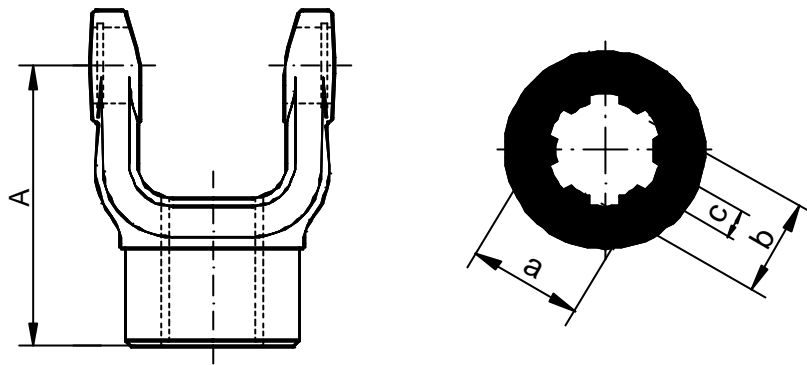
Serie	Referencia	Tipo	Extremos				M
			Fig	Dim.	Fig	Dim.	
2122 (19x51,9)	2121.6.6.d.d	E	6	d=16,18,19	6	d=16,18,19	126
	2121.6.7.d.28	E	6	d=16,18,19	7	D=28	126
	2121.7.7.28.28	E	7	D=28	7	D=28	126
	2122.5.5.d.d	E	5	d=20,22,25	5	d=20,22,25	140
	2122.5.6.d.d	E	5	d=20,22,25	6	d=20,22,25	140
	2122.6.6.d.d	E	6	d=20,22,25	6	d=20,22,25	140
	2122.5.7.d.40	E	5	d=20,22,25	7	D=40	140
	2122-2122.E.500	C	5	d=20,22,25	5	d=20,22,25	500
2124 (22x55,0)	2123.5.5.d.d	E	5	d=20,22,25	5	d=20,22,25	162
	2123.5.6.d.d	E	5	d=20,22,25	6	d=20,22,25	162
	2123.6.6.d.d	E	6	d=20,22,25	6	d=20,22,25	162
	2123.5.7.d.46	E	5	d=20,22,25	7	D=46	162
	2123-2123.E.500	C	5	d=20,22,25	5	d=20,22,25	500
2126 (23,8x61,2)	2125.5.5.d.d	E	5	d=22,25,30	5	d=22,25,30	162
	2125.5.6.d.d	E	5	d=22,25,30	6	d=22,25,30	162
	2125.6.6.d.d	E	6	d=22,25,30	6	d=22,25,30	162
	2125.5.7.d.46	E	5	d=22,25,30	7	D=46	162
	2125.10.6.1100.d	D	10	Serie 1100	6	d=22,25,30	111
	2125-2125.E.500	C	5	d=22,25,30	5	d=22,25,30	500
2128 (27x74,6)	2127.5.5.d.d	E	5	d=25,30,35	5	d=25,30,35	204
	2127.5.6.d.d	E	5	d=25,30,35	6	d=25,30,35	204
	2127.6.6.d.d	E	6	d=25,30,35	6	d=25,30,35	204
	2127.5.7.d.61	E	5	d=25,30,35	7	D=61,7	204
	2127.10.6.1300.d	D	10	Serie 1300	6	d=25,30,35	137
2130 (30,2x80,0)	2129.5.6.d.d	E	5	d=30,35	6	d=30,35	192
	2129.6.6.d.d	E	6	d=30,35	6	d=30,35	192

Horquillas de enganche rápido (1)



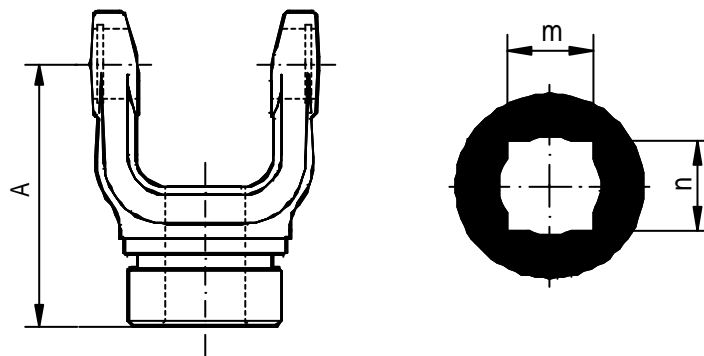
Serie	Cruz	Referencia	a x b x c Z-n	A
2224	22,0 x 54,0	2224.0-H	34,9x29,7x8,7 Z-6	90
		2224.1-H	28,5x24,2x7,1 Z-6	
2124	22,0 x 55,0	2124.0-H	34,9x29,7x8,7 Z-6	90
		2124.1-H	28,5x24,2x7,1 Z-6	
2126	23,8 x 61,2	2126.0-H	34,9x29,7x8,7 Z-6	98
		2126.1-H	28,5x24,2x7,1 Z-6	
		2126.2-H	30x26x6 Z-6	91
		2126.03-H	25x21x5 Z-6	
		2126.05-H	28x23x6 Z-6	
		2126.10-H	28 x 25 Z-15	
2328	27,0 x 70,0	2328.0-H	34,9x29,7x8,7 Z-6	102
		2328.1-H	28,5x24,2x7,1 Z-6	
		2328.3-H	34,9 x 31,8 Z-21	
2128	27,0 x 74,6	2128.0-H	34,9x29,7x8,7 Z-6	109
		2128.1-H	28,5x24,2x7,1 Z-6	
		2128.3-H	34,9 x 31,8 Z-21	
2228	32,0 x 76,0	2228.0-H	34,9x29,7x8,7 Z-6	116
		2228.3-H	34,9 x 31,8 Z-21	
2130	30,2 x 80,0	2130.0-H	34,9x29,7x8,7 Z-6	113
		2130.3-H	34,9 x 31,8 Z-21	
2230	30,2 x 92,0	2230.0-H	34,9x29,7x8,7 Z-6	118
		2230.3-H	34,9 x 31,8 Z-21	
		2230.4-H	44,4x37,8x11,1 Z-6	
		2230.5-H	45,1 x 40,2 Z-20	
2330	34,0 x 90,0	2330.0-H	34,9x29,7x8,7 Z-6	116
2132	30,2 x 106,5	2132.0-H	34,9x29,7x8,7 Z-6	127
		2132.3-H	34,9 x 31,8 Z-21	
		2132.4-H	44,4x37,8x11,1 Z-6	
		2132.5-H	45,1 x 40,2 Z-20	
2332	34,9 x 94,0	2332.0-H	34,9x29,7x8,7 Z-6	119
2232	34,9 x 106,3	2232.0-H	34,9x29,7x8,7 Z-6	126
		2232.3-H	34,9 x 31,8 Z-21	
		2232.4-H	44,4x37,8x11,1 Z-6	
		2232.5-H	45,1 x 40,2 Z-20	
2234	36,0 x 89,0	2234.0-H	34,9x29,7x8,7 Z-6	121
2136	41,0 x 108,0	2136.0-H	34,9x29,7x8,7 Z-6	128
2236	42,0 x 104,0	2236.0-H	34,9x29,7x8,7 Z-6	131

Horquillas estriadas lisas (2)



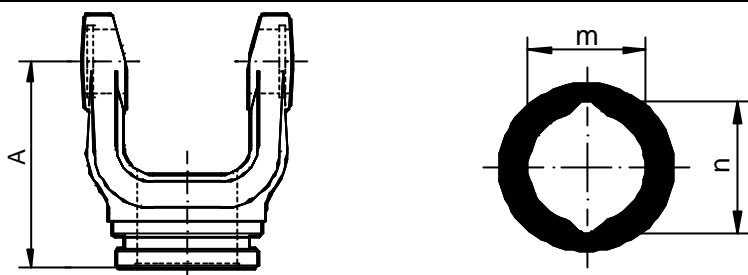
Serie	Cruz	Referencia	a x b x c Z-n	A
2122	19,0 x 51,9	2122.2.03-H	25x21x5 Z-6	70
2124	22,0 x 55,0	2123.2.03-H	25x21x5 Z-6	81
		2123.2.05-H	28x23x6 Z-6	
2126	23,8 x 61,2	2125.2.03-H	25x21x5 Z-6	81
		2125.2.05-H	28x23x6 Z-6	
		2125.2.07-H	30x26x6 Z-6	
2128	27,0 x 74,6	2127.2.05-H	28x23x6 Z-6	102
		2127.2.07-H	30x26x6 Z-6	
		2127.2.08-H	34,9x29,7x8,7 Z-6	
2130	30,2 x 80,0	2129.2.08-H	34,9x29,7x8,7 Z-6	96

Horquillas rectangulares (3)



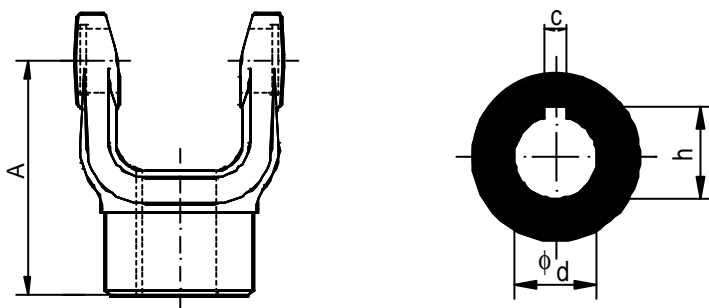
Serie	Cruz	Referencia	m x n	A
2128	27,0 x 74,6	2127.3.03-H	28 x 30	102
2130	30,2 x 80,0	2129.3.03-H	28 x 30	96
2132	30,2 x 106,5	2131.3.04-H	32 x 35	123

Horquillas perfil "limón" (4)



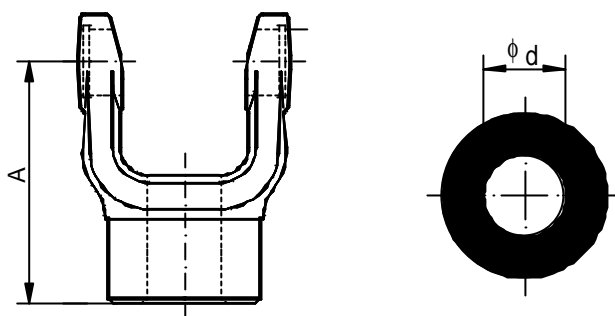
Serie	Cruz	Referencia	m x n	A
2124	22,0 x 55,0	2123.4.01-H	23 x 30	66
		2123.4.02-H	30 x 40	
2126	23,8 x 61,2	2125.4.03-H	34 x 40	75
		2125.4.04-H	41 x 48	
2128	27,0 x 74,6	2127.4.03-H	34 x 40	85
		2127.4.04-H	41 x 48	
		2127.4.05-H	40 x 49	
		2127.4.06-H	48 x 58	90
2228	32,0 x 76,0	2227.4.05-H	40 x 49	92
		2227.4.06-H	48 x 58	102
2230	30,2 x 92,0	2229.4.05-H	40 x 49	105
		2229.4.06-H	48 x 58	
2330	34,0 x 90,0	2329.4.05-H	40 x 49	88
		2329.4.06-H	48 x 58	102
2234	36,0 x 89,0	2233.4.05-H	40 x 49	106
		2233.4.06-H	48 x 58	112

Horquillas con chavetero (5)



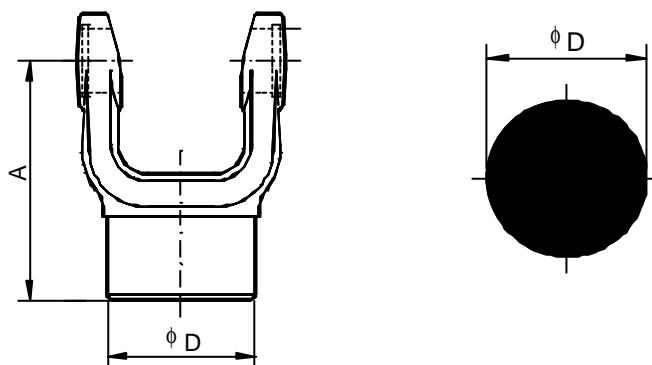
Serie	Cruz	Referencia	d	c	A
2122	19,0 x 51,9	2122.5.d-H	20,22,25	6,6,8	70
2124	22,0 x 55,0	2123.5.d-H	22,25,30	6,8,8	81
2126	23,8 x 61,2	2125.5.d-H	22,25,30	6,8,8	81
2128	27,0 x 74,6	2127.5.d-H	25,30,35	8,8,10	102
2130	30,2 x 80,0	2129.5.d-H	30,35	8,10	96
2230	30,2 x 92,0	2229.5.d-H	30,35	8,10	117
2132	30,2 x 106,5	2131.5.d-H	35,40,45	10,12,14	123
2232	34,9 x 106,3	2231.5.d-H	35,40,45	10,12,14	122

Horquillas cilíndricas (6)



Serie	Cruz	Referencia	d	A
2122	19,0 x 51,9	2121.6.d-H	16,18,19	63
		2122.6.d-H	20,22,25	70
2124	22,0 x 55,0	2123.6.d-H	20,22,25	81
2126	23,8 x 61,2	2125.6.d-H	22,25,30	81
2128	27,0 x 74,6	2127.6.d-H	25,30,35	102
2130	30,2 x 80,0	2129.6.d-H	30,35	96
2230	30,2 x 92,0	2229.6.d-H	30,35	117
2132	30,2 x 106,5	2131.6.d-H	35,40,45	123
2232	34,9 x 106,3	2231.6.d-H	35,40,45	123

Horquillas macizas (7)



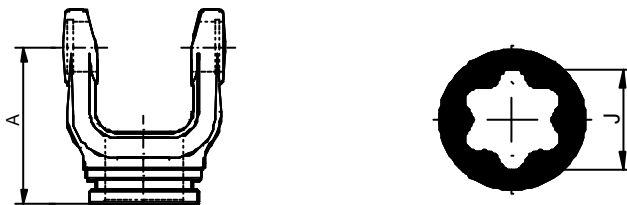
Serie	Cruz	Referencia	D	A
2122	19,0 x 51,9	2121.7.28-H	28	63
		2122.7.40-H	40	70
2124	22,0 x 55,0	2123.7.46-H	46	81
2126	23,8 x 61,2	2125.7.46-H	46	81
2128	27,0 x 74,6	2127.7.61-H	61,7	102
2130	30,2 x 80,0	2129.7.69-H	69	102
2230	30,2 x 92,0	2229.7.76-H	76	117
2132	30,2 x 106,5	2131.7.76-H	76	123

Horquillas perfil "triangular" (16)



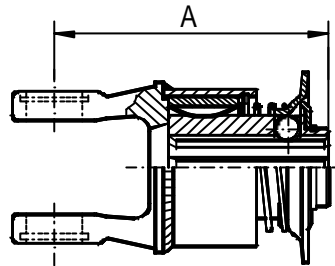
Serie	Cruz	Referencia	J	A
2224	22,0 x 54,0	2223.16.01-H	26,5	66
		2223.16.02-H	32,5	
2126	23,8 x 61,2	2125.16.03-H	29,0	75
		2125.16.04-H	36,0	
2328	27,0 x 70,0	2327.16.04-H	36,0	80
		2327.16.06-H	43,5	86
2128	27,0 x 74,6	2127.16.05-H	36	85
		2127.16.06-H	43,5	
2130	30,2 x 80,0	2129.16.07-H	45,0	98
		2129.16.10-H	51,5	
2230	30,2 x 92,0	2229.16.07-H	45	105
		2229.16.09-H	54	
2132	30,2 x 106,5	2131.16.08-H	45	108
		2131.16.09-H	54	
2332	34,9 x 94,0	2331.16.08-H	45	107
		2331.16.09-H	54	
2232	34,9 x 106,3	2231.16.09-H	54	113
		2231.16.11-H	63	
2136	41,0 x 108,0	2135.16.12-H	54	123
		2135.16.11-H	63	

Horquillas perfil "estrella" (17)



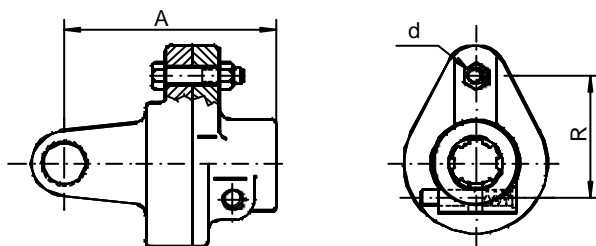
Serie	Cruz	Referencia	J	A
2228	32,0 x 76,0	2227.17.01-H	51	92
		2227.17.02-H	61	102
2230	30,2 x 92,0	2229.17.01-H	51	105
		2229.17.02-H	61	
2132	30,2 x 106,5	2131.17.01-H	51	108
		2131.17.02-H	61	
2330	34,0 x 90,0	2329.17.01-H	51	88
		2329.17.02-H	61	102
2232	34,9 x 106,3	2231.17.01-H	51	113
		2231.17.02-H	61	
2234	36,0 x 89,0	2233.17.01-H	51	106
		2233.17.02-H	61	109
2136	41,0 x 108,0	2135.17.01-H	51	123
		2135.17.02-H	61	
2236	42,0 x 104,0	2235.17.01-H	51	130
		2235.17.02-H	61	
		2235.17.03-H	71	

Ruedas libres



Serie	Cruz	Estriado	Giro	Referencia	A
2224	22,0 x 54,0	1 3/8" Z-6	Dcha.-Right	2224.0D-RL	133
			Izda.-Left	2224.0I-RL	
2124	22,0 X 55,0	1 3/8" Z-6	Dcha.-Right	2124.0D-RL	133
			Izda.-Left	2124.0I-RL	
2126	23,8 x 61,2	1 3/8" Z-6	Dcha.-Right	2126.0D-RL	139
			Izda.-Left	2126.0I-RL	
2128	27,0 x 74,6	1 3/8" Z-6	Dcha.-Right	2128.0D-RL	149
2228	32,0 x 76,0	1 3/8" Z-6	Dcha.-Right	2228.0D-RL	157
2130	30,2 x 80,0	1 3/8" Z-6	Dcha.-Right	2130.0D-RL	157
2230	30,2 x 92,0	1 3/8" Z-6	Dcha.-Right	2230.0D-RL	157
			Izda.-Left	2230.0I-RL	
2232	34,9 x 106,5	1 3/8" Z-6	Dcha.-Right	2232.0D-RL	208
2234	36,0 x 88,8	1 3/8" Z-6	Dcha.-Right	2234.0D-RL	190

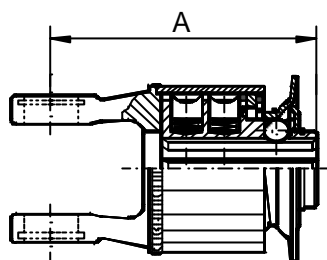
Limitadores de par (I)



Por tornillo "fusible"

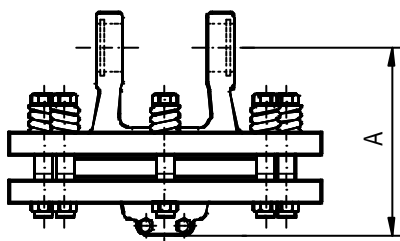
Serie	Cruz	Estriado	Par (Nm)	R x d	Referencia	A
2126	23,8 x 61,2	1 3/8" Z-6	780	42xM6	2126.0-01PF	102
			1390	42xM8	2126.0-04PF	
2128	27,0 x 74,6	1 3/8" Z-6	1600	48xM8	2128.0-05PF	126
			2920	56xM10	2128.0-09PF	
2228	32,0 x 76,0	1 3/8" Z-6	2920	56xM10	2228.0-09PF	128
2130	30,2 x 80,0	1 3/8" Z-6	1860	56xM8	2130.0-06PF	128
			2920	56xM10	2130.0-09PF	
2230	30,2 x 92,0	1 3/8" Z-6	2920	56xM10	2230.0-09PF	130
		1 3/4" Z-6			2230.4-09PF	

Limitadores de par (II)



Por pestillos radiales

Serie	Cruz	Estriado	Par	Referencia	A
			(Nm)		
2224	22,0 x 54,0	1 3/8" Z-6	300 (600 max.)	2224.0-1EP	101
			600 (600 max.)	2224.0-2EP	120
2124	22,0 x 55,0	1 3/8" Z-6	300 (600 max.)	2124.0-1EP	101
			600(600 max.)	2124.0-2EP	120
2126	23,8 x 61,2	1 3/8" Z-6	300 (900 max)	2126.0-1EP	101
			600 (900 max)	2126.0-2EP	126
			900 (900 max)	2126.0-3EP	145
2128	27,0 x 74,6	1 3/8" Z-6	600 (1250 max.)	2128.0-2EP	136
			900 (1250 max)	2128.0-3EP	155
			1200 (1250 max)	2128.0-4EP	174
2228	32,0 x 76,0	1 3/8" Z-6	1500 (1500 max)	2228.0-3EP	201
2130	30,2 x 80,0	1 3/8" Z-6	900 (1500 max)	2130.0-3EP	158
			1200 (1500 max)	2130.0-4EP	178
			1500 (1500 max)	2130.0-5EP	197
2230	30,2 x 92,0	1 3/8" Z-6	1200 (1800 max)	2230.0-4EP	182
			1500 (1800 max)	2230.0-5EP	201

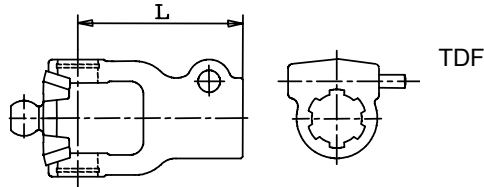


Por discos de fricción

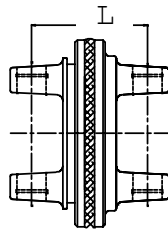
Serie	Cruz	Estriado	Par	Referencia	A
			(Nm)		
2126	23,8 x 61,2	1 3/8" Z-6	400 (900 max.)	2126.0-1ED	136
			750 (900 max.)	2126.0-2ED	
2128	27,0 x 74,6	1 3/8" Z-6	750 (1250 max.)	2128.0-1ED	136
			900 (1250 max.)	2128.0-2ED	
2228	32,0 x 76,0	1 3/8" Z-6	1250 (1700 max.)	2228.0-2ED	159
2130	30,2 x 80,0	1 3/8" Z-6	900 (1500 max.)	2130.0-2ED	147
			1250 (1500 max.)	2130.0-3ED	
2230	30,2 x 92,0	1 3/8" Z-6	900 (1800 max)	2230.0-2ED	147
			1250 (1800 max.)	2230.0-3ED	
2132	30,2 x 106,5	1 3/8" Z-6	1250 (2100 max.)	2132.0-1ED	175
			2000 (2100 max.)	2132.0-3ED	

Componentes de Nudos homocinéticos

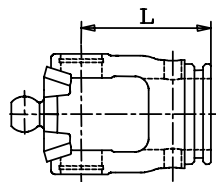
SERIES	2126	2128	2130 – 2230 - 2228	2332 - 2232 - 2234
Cruz U/Joint	23,8x61,2 22,0x77,0	27,0x74,6 23,8x91,0	32,0x76,0 27,0x94,0	36,0x88,8 32,0x106,0



TDF	L	Referencia	L	Referencia	L	Referencia	L	Referencia
1 3/8" Z-6	98	2126.0NH-H	107	2128.0NH-H	112	2230.0NH-H	118	2232.0NH-H
1 3/8" Z-21	98	2126.3NH-H	107	2128.3NH-H	112	2230.3NH-H	118	2232.3NH-H
1 3/4" Z-6					112	2230.4NH-H	118	2232.4NH-H
1 3/4" Z-20					112	2230.5NH-H	118	2232.5NH-H

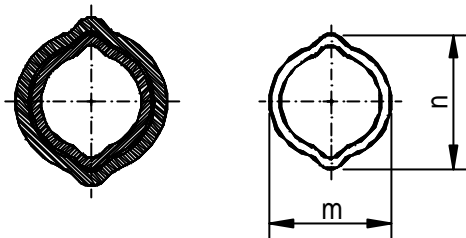


L	Referencia	L	Referencia	L	Referencia	L	Referencia
86	2125NH-CH	95	2127NH-CH	104	2229NH-CH	118	2231NH-CH

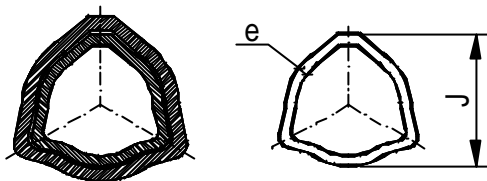


	L	Referencia	L	Referencia	L	Referencia	L	Referencia
	91	21251603NH-H	85	21271605NH-H	100	21291607NH-H	108	23311608NH-H
	91	21251604NH-H	85	21271606NH-H	100	21291610NH-H	108	23311609NH-H
					100	22291607NH-H	108	22311609NH-H
					100	22291609NH-H	114	22311611NH-H
	91	21250403NH-H	85	21270403NH-H	92	22270405NH-H		
	91	21250404NH-H	85	21270404NH-H	102	22270406NH-H		
			85	21270405NH-H				
			85	21270406NH-H				
					92	22271701NH-H	106	22331701NH-H
					102	22271702NH-H	106	22331702NH-H

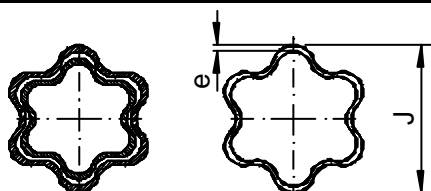
Tubos “limón”, “triangular” y “estrella”



Serie	Referencia	Tubo	m x n
2124	TL-01.M	Interior – Inner	23 x 30
	TL-02.M	Exterior – Outer	30 x 40
2126 , 2328 2128	TL-03.M	Interior – Inner	34 x 40
	TL-04.M	Exterior – Outer	41 x 48
2228 , 2230 2330 , 2234	TL-05.M	Interior – Inner	40 x 49
	TL-06.M	Exterior - Outer	48 x 58



Serie	Referencia	Tubo	J x e
2224	PT-01.M	Interior – Inner	26,5 x 3,5
	PT-02.M	Exterior - Outer	32,5 x 2,5
2126	PT-03.M	Interior – Inner	29,0 x 3,5
	PT-04.M	Exterior - Outer	36,0 x 3,0
2328	PT-04.M	Interior – Inner	36,0 x 3,0
	PT-06.M	Exterior - Outer	43,5 x 3,5
2128	PT-05.M	Interior – Inner	36,0 x 4,5
	PT-06.M	Exterior - Outer	43,5 x 3,5
2130	PT-07.M	Interior – Inner	45,0 x 4,0
	PT-10.M	Exterior - Outer	51,5 x 3,0
2230	PT-07.M	Interior – Inner	45,0 x 4,0
	PT-09.M	Exterior - Outer	54,0 x 4,0
2132 , 2332	PT-08.M	Interior – Inner	45,0 x 5,5
	PT-09.M	Exterior - Outer	54,0 x 4,0
2232	PT-09.M	Interior – Inner	54,0 x 4,0
	PT-11.M	Exterior - Outer	63,0 x 4,0
2136	PT-12.M	Interior – Inner	54,0 x 5,0
	PT-11.M	Exterior - Outer	63,0 x 4,0

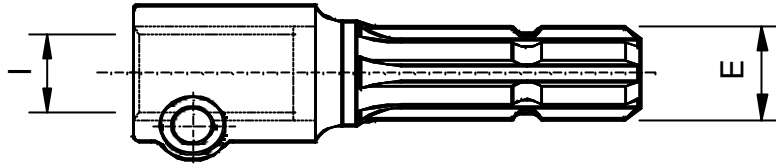


Serie	Referencia	Tubo	J x e
2228, 2230, 2132, 2330 2232, 2234, 2136, 2236 2236	TS-01.M	Interior – Inner	51,0 x ---
	TS-02.M	Ext./Int. – Outer/Inner	61,0 x 4,0
	TS-03.M	Exterior – Outer	71,0 x 5,0

Para obtener la referencia completa, sustituir la “M” por la longitud deseada en mm (1000 ó 3000)

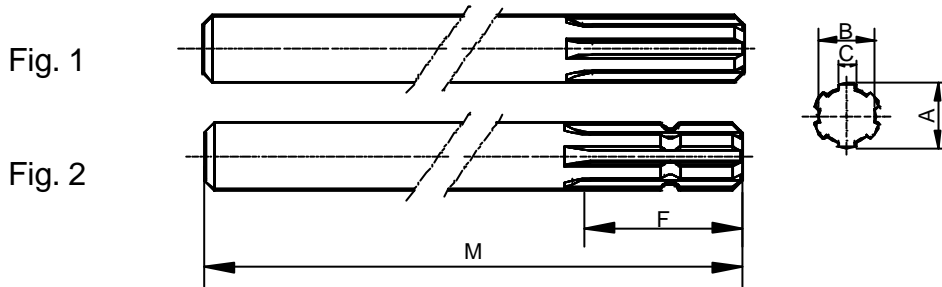
Accesorios (I)

Derivaciones



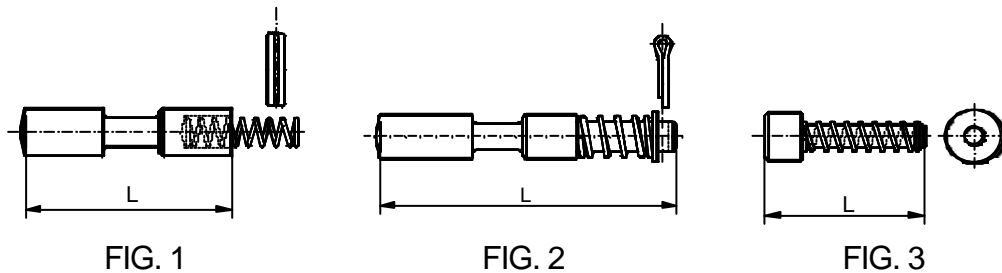
Referencia	I (Hembra)	E (Macho)
DTF-1.0	1 1/8" Z-6	1 3/8" Z-6
DTF-0.0	1 3/8" Z-6	
DTF-3.0	1 3/8" Z-21	
DTF-4.0	1 3/4" Z-6	

Ejes estriados



Referencia	FIG.	M x F	AxBxC Z-n
EE-0.200	1	200x85	34,9x29,7x8,7 Z-6
EE-0.400	1	400x85	"
EE-0.200C	2	200x40	"
EE-0.400C	2	400x40	"
EE-03.180	1	180x140	25x21x5 Z-6
EE-03.500	1	500x90	"
EE-07.180	1	180x140	30x26x6 Z-6

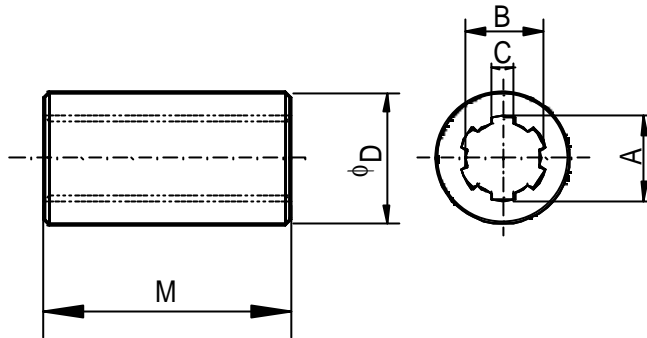
Pulsadores de enganche



Referencia	FIG.	L
E-3	2	85
E-5	1	54
E-7	3	45
E-8	3	54

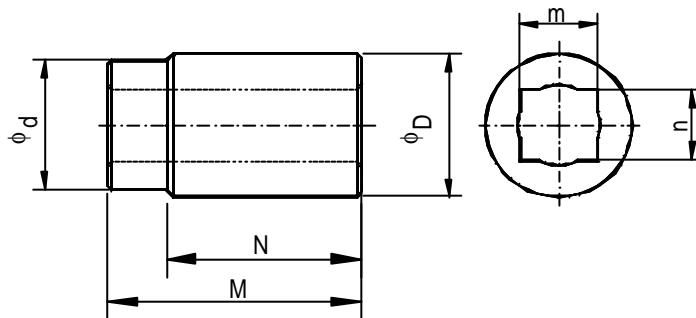
Accesorios (II)

Manguitos estriados



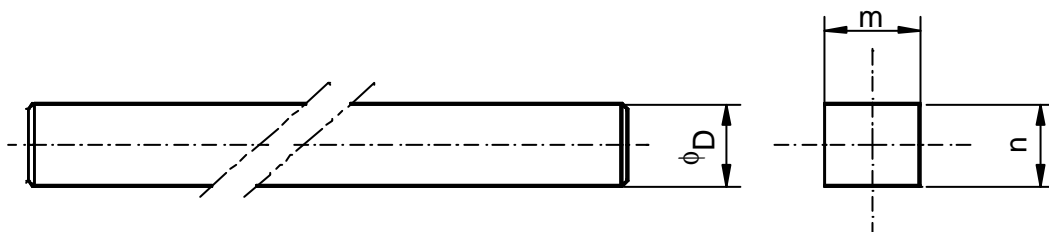
Referencia	D x M	AxBxC Z-n
ME-03	35 x 50	25x21x5 Z-6
ME-07	45 x 50	30x26x6 Z-6
ME-00	50 x 100	34,9x29,7x8,7 Z-6

Manguitos rectangulares



Referencia	D x M	m x n	N	d
MR-03	57 x 100	28 x 30	70	51,2
MR-03.L	57 x 150		115	
MR-04	63 x 110	32 x 35	90	58,6
MR-04.L	63 x 150		115	

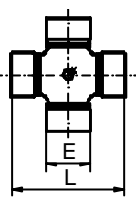
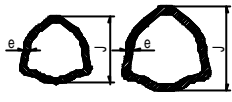
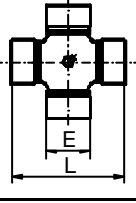
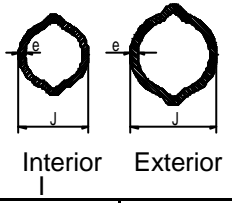
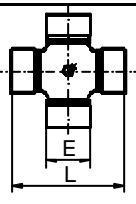
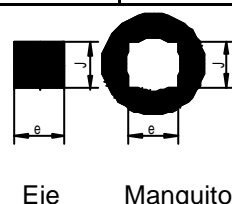
Ejes rectangulares



Referencia	m x n
ER-03.M	28 x 30
ER-04.M	32 x 35

Para obtener la referencia completa, sustituir la "M" por la longitud deseada en mm (1000 ó 3000)

Datos técnicos (I)

Serie	Cruz 	Tubos		Capacidad de carga dinámica *						
				540 rpm			1000 rpm			Max.
		Interior	Exterior	Potencia	Par		Potencia	Par		
E x L	J x e	J x e	Kw	Hp	Nm	Kw	Hp	Nm	Nm	
2224	22,0x54,0	26 x 3	33 x 2	12	16	210	18	25	175	320
2126	23,8x61,2	29 x 3	36 x 3	15	21	270	23	31	220	450
2328	27,0x70,0	36 x 3	43 x 3	22	30	390	35	47	330	640
2128	27,0x74,6	36x4	43x3	26	35	460	40	54	380	780
2130	30,2x80,0	45 x 4	52 x 3	35	47	620	54	74	520	1050
2230	30,2x92,0	45 x 4	54 x 4	47	64	830	74	101	710	1450
2132	30,2x106,5	45 x 5	54 x 4	55	75	970	87	118	830	1800
2332	34,9x94,0	45 x 5	54 x 4	55	75	970	87	118	830	1800
2232	34,9x106,3	54 x 4	63 x 4	70	95	1240	110	150	1050	2250
2136	41,0x108,0	54 x 5	63 x 4	88	120	1560	140	191	1340	2900
										
2124	22,0x55,0	23 x 4	30 x 3	12	16	210	18	25	175	320
2126	23,8x61,2	34 x 4	41 x 3	15	21	270	23	31	220	450
2128	27,0x74,6	34 x 4	41 x 3	26	35	460	40	54	380	780
2228	32,0x76,0	39 x 5	48 x 4	39	53	690	61	83	580	1240
2230	30,2x92,0	39 x 5	48 x 4	47	64	830	74	101	710	1450
2234	36,0x89,0	39 x 5	48 x 4	59	81	1050	89	121	850	1750
										
2128	27,0x74,6	28 x 30		26	35	460	40	54	380	780
2230	30,2x92,0	28 x 30		47	64	830	74	101	710	1450
2132	30,2x106,5	32 x 35		55	75	970	87	118	830	1800

* Valores relativos a ángulos por junta de 5° y 1000 horas de vida teórica.

Esta tabla se ha realizado en base a la información recibida y contrastada de muchas fuentes , y se han realizado esfuerzos y se continuarán haciendo para verificar y/o mejorar su precisión.

Datos técnicos (II)

CONDICIONES PARA EL FUNCIONAMIENTO CORRECTO DE UNA TRANSMISION CARDAN

- 1.-Los ejes conductor TDF (Toma De Fuerza), conducido (eje de la máquina), y el propio eje de la transmisión deben de estar en el mismo plano.
- 2.-En caso de modificación ó reparación, las horquillas de los extremos deben de permanecer en el mismo plano. Los ejes son diseñados de forma que no permitan otras posiciones que por error pudieran producirse.
- 3.-Los ángulos de las dos articulaciones deben de ser iguales, reduciéndolos en lo posible.
- 4.-Los órganos en giro ó desplazamiento deben ser lubricados con frecuencia. Se recomienda engrasar las cruces cada 8 horas de trabajo y los ejes cada 20 horas. Engrasar siempre después del trabajo (en caliente se facilitará la entrada del lubricante) utilizando grasas de litio.

Las piezas que aparecen en el presente Catalogo son las consideradas de serie, pudiendo realizar / suministrar, previa oferta, otras piezas de acuerdo a especificaciones del cliente.

Los datos reflejados en este Catálogo tienen carácter orientativo y sólo con tal carácter deben ser considerados.

No asumimos la responsabilidad por errores que pudieran aparecer en los datos del presente Catálogo, quedando abierta la posibilidad de modificación de los mencionados datos sin aviso previo.